

Posjet Thermal printer module

PK102T Series

Operation manual



MEGADATA INDUSTRIAL, Inc.
1F, NO.10, Lane 58, Ta Chuan Street,
Taichung, TAIWAN R.O.C.

TEL: +886-4-2376-6881 FAX: +886-4-2371-7974

www.posjet.com.tw megadata@ms21.hinet.net

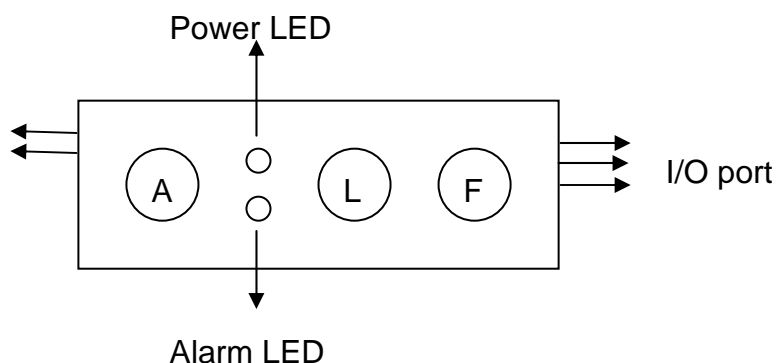
Contents

- ***Specification***
- ***The functions of control panel (Optional)***
- ***Command sets***
- ***Communication***
- ***Drawing***

● Specification

Printing	
Method	Direct thermal
Effective area	48 mm
Resolution	8 dots / mm
Speed	60 mm / second (Max.)
Fonts	
Character Set	ASCII International, IBM graphic sets (Traditional/Simplify Chinese)
Characters Per Line	48 (14*8) 24 (16*16)
Character Size	14*8, 16*16 (H x W dot)
Graphic	Bit addressable graphic command set
Contrast	Auto or user selectable
Bar codes	Code 39, EAN and UPC
Downloadable	Fonts, graphics, logos and additional bar codes
Interface	
RS-232C	Baud Rate: 1200/2400/4800/9600/19200/38400 (Default 9600bps)
	Handshaking: CTS/RTS or XON/XOFF
Bluetooth	Optional
Paper roll	
“Easy paper loading design”	
Width	57 mm
Thickness	2.2 to 3.5 mils
Diameter	23 mm (Max.) Core: 6 mm
Length	6 meter (Max.)
Power supply	
DC	+9.5V~36V / 3A
Battery	
(Optional)	
Type	Lithium Ion 7.4V / 1750mAH
Recharge	1.5 hr. (Over voltage / over current and over heat protection)
Life	Full charge. Approx. 31,600 lines (14*8 Characters)
Management	Auto power off function
Dimensions	
Size	79.2 (W) x 46.5 (L) x 49.1 mm (D) (With Controller)
Weight	80g without paper roll (Paper roll 20g)
Environmental	
Operating Temp	-10 to 50°C
Storage Temp	-20 to 60°C
Humidity	90% RH (non-condensing)

- **The functions of control panel (Optional)**



A Key: POWER ON

L Key: Line Feed –

Press once	One line feed
Hold it	Feeding continuously and stop when release

F Key: Function Key –

Press twice	Self-test page will printing out
-------------	----------------------------------

Change the interface mode

Press “F key” then press “A key” (the Alarm/LED will light) into interface change mode, the interface mode could be change if you press “L key” at this moment. Press “F key” to exit interface change mode.

● **Command sets**

Command	Control code	Description
LF	0Ah	Line Feed
CR	0Dh	Carriage return.
ESC+'-'+'1' ESC+'-'+'0'	1Bh+2Dh+31h, Turn on 1Bh+2Dh+30h, Turn off	Enable under line mode. Disable under line mode.
ESC+'_'+'1' ESC+'_'+'0'	1Bh+5Fh+31h, Turn on 1Bh+5Fh+30h, Turn off	Enable upper line mode. Disable upper line mode.
ESC+'1'+n	1Bh+31h+n, 0<n<127	Set line spacing
ESC+'d'+n	1Bh+64h+n, 0 < n < 127	After printing skip N line
ESC+'R'+n	1Bh+52h+n 0 < n < 9	Select an international character (see Table 1)
ESC+'W'+n	1Bh+57h+n, 0<n<3	Select/Cancel n times width.
ESC+'Z'+n	1Bh+5Ah+n, 0<n<127	Select/Cancel n Double height
ESC+'@'	1Bh+40h	Initialize printer
ESC+'b'+n	1Bh+62h+n, 0 < n < 7	Communication speed setting. (See Table 2)
ESC+'('+B'+n+n1+ barcode data	1Bh+28h+42h+n+n1 1 < n < 6	Barcode printing mode. (See Table 3)

Table1: Set up international code

N	Character Set
0	U.S.A
1	France
2	Germany
3	U.K.
4	Denmark I
5	Sweden
6	Italy
7	Spain
8	Japan
9	Norway

Table 2: Communication speed setting (RS-232 only)

N	Communication speed
0	1200 bps
1	2400 bps
2	4800 bps
3	9600 bps (Default)
4	19200 bps
5	38400 bps

Table 3: Bar code prints mode

n	Bar code prints mode	Bar code data length (Barcode data)
1	EAN-8 n1=0	Len=8
2	EAN-13 0 < n1 < 9	Len=13
3	UPC-A n1=0	Len=10
4	UPC-E 0 < n1 < 9	Len=6
5	CODE 39 1 < n1 < 15	1 < Len < 14

● **Communication**

The portable printer has two communication interface RS232C. They are different. The RS232C do not have hardware handshaking. Programmer can easily setup connection. Set primary device communication as 9600,n, 8,1 then transfer to printer. When printer receive 0ch, 0ah or 0dh it will start printing.

Programmer hint (for RS232C communication)

- I. In special condition you can send printer inquiry command to confirm printer status. As usually; we do not check it.
- II. In RS232C communication must send 0ah, 0dh to enable start printing.
- III. ESC (1Bh), 0Ah, 0Dh etc. unprintable characters treat as 1 data byte.

Bluetooth connection

- I. Need to match the Bluetooth connection between PK102T and your facility before using at the first time.
- II. The PIN CODE is four number "0000 " (PK102T Bluetooth module)
- III. Printer controls same as RS232.

● **Drawing**

